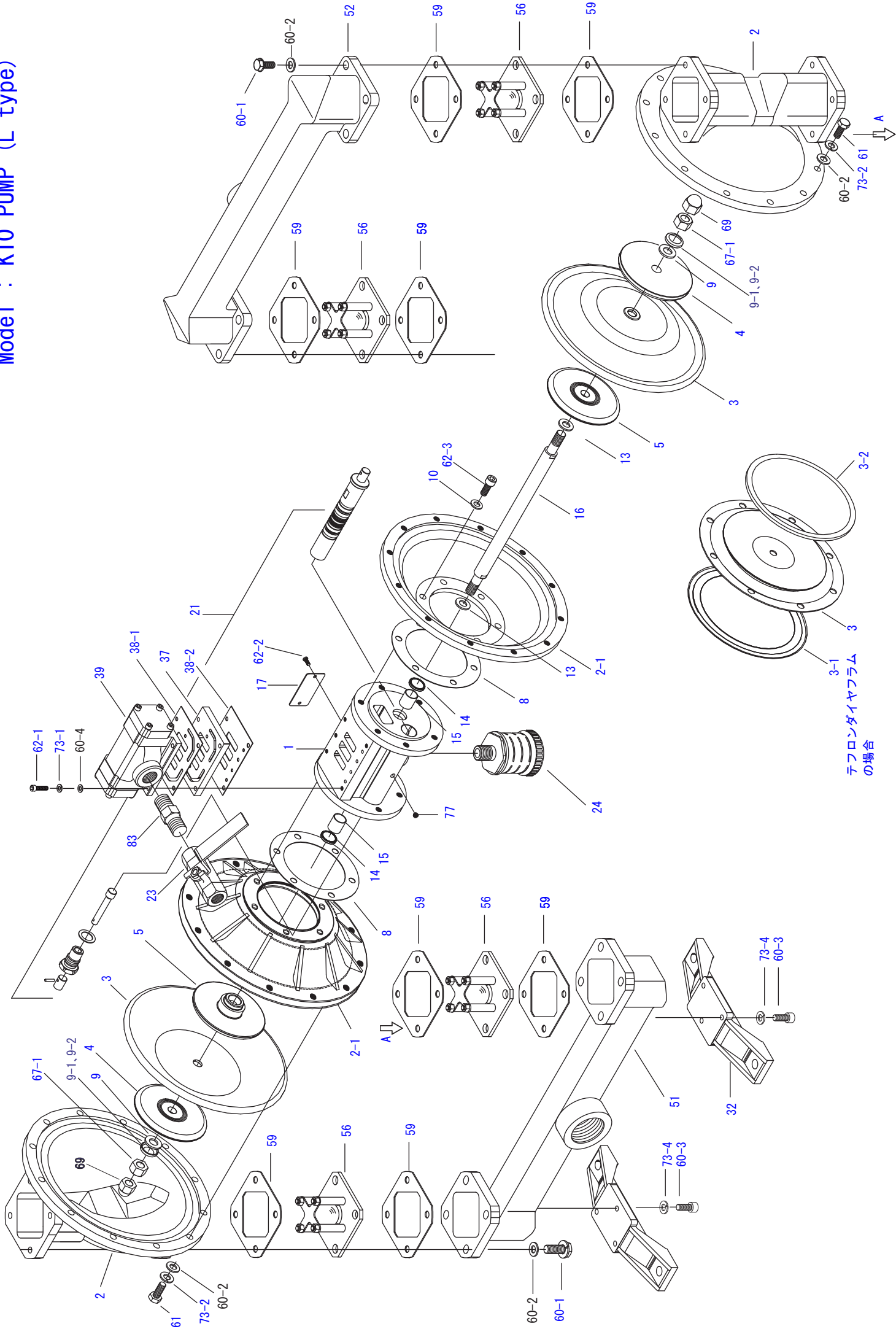


K10-L

1	P-40127	1	K10,N10,K14			
2	P-42158	2	K10-L			
2-1	P-40719	2	K10)			
3	D-00012	2	K10			
3-1	P-31001	2	K10		240D	
3-2	P-31002	2	K10			
4	P-41232	2	K10 105, ,		105Dx9t	
4	P-41497	2	K10 80,		80Dx9t	
5	P-40589	2	K10,N10 105		105D	
5	P-40728	2	K10-T 80,		80D	
8	P-30071	2	K10	UGK		
9	P-10096	2	(M12,)		M12	
9-1	P-10375	2	(M12,SUS)	SUS	M12	テコの場合
9-2	P-30520	2	M12,)		M12	テコの場合
10	P-30098	12	M8)		M8	
13	P-30133	2	M12)		M12	
14	P-30015	2	(GLY18,)			
15	P-10013	2	(ML1815 N10)		ML1815	
16	P-42454	1	K10	SUS303	300L	
17	P-41634	1				
21	P-80055	1	K10 12mm			
21	P-80086	1	K10-T 24mm			
21	P-80050	1	N10 17mm			
23	P-10515	1	1/2")	FCMB	1/2"D	
24	P-10760	1	(PS1/2)	PP	PS1/2	
32	P-41828	2	K10			
37	P-40318	1				
38-1	P-31409	1	, (K10 ,UGK1230N)	UGK1230N		
38-2	P-31410	1	, (K10 ,UGK1230N)	UGK1230N		
39	P-80069	1	(K10,N10,K10x2			
51	P-42159	1	K10-L			
52	P-42160	1	K10-L			
56	D-00025	4				
59	P-31436	8	(K10 ,UGK1230N)	UGK1230N		
59	P-31284	8	K10 ,			
60-1	P-10775	16	M8 40,)		M8x40	
60-2	P-10862	40	(M8)		M8	
60-3	P-10222	6	(M6x20)		M6x20	
60-4	P-10262	5	(M5 SUS)	SUS	M5	
61	P-10866	24			M8x28	
62-1	P-10094	5	(M5x30)		M5x30	
62-2	P-10157	2	M4x6)		M4x6	
62-3	P-10095	12	(M8x20)		M8x20	
67-1	P-10211	2	M12,SUS,3)	SUS	M12x1.75	
69	P-10212	2	(M12,SUS)	SUS	M12	
73-1	P-10019	5	(M5)	SWP	M5	
73-2	P-10011	24	(M8,SUS)	SUS	M8	
73-4	P-10063	6	(M6)	SWP	M6	
77	P-10366	1	M4x4		M4x4	
83	P-10228	1	(1/2")	FCMB	1/2"	

Model : K10 PUMP (L type)



テフロンダイヤフラム
の場合

A

A